



*NUMBERONE Metal  
Products CO., Ltd*

# ABOUT US

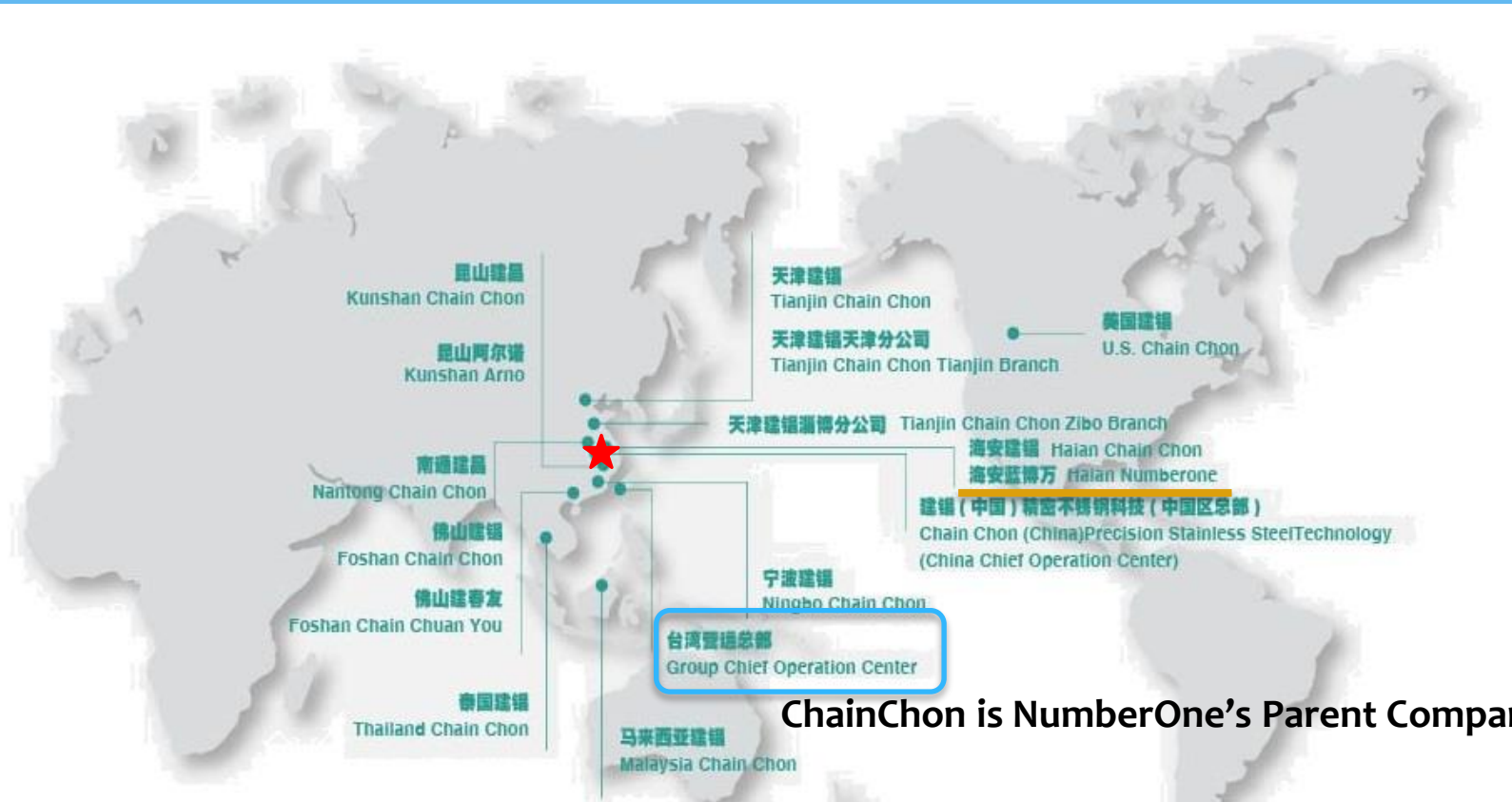
NUMBERONE Metal Products Co.,Ltd is a professional foreign invested manufacturer, focusing on R&D, manufacturing BBQ Grills, heating stoves, kitchen cabinets and other metal products .We persistently hold the business concepts of “ Integrity & Pragmatic ;People-First ;Scientific Management ; Continuous Innovation", and devote all of our time to offer the most advanced , top-quality products and service for customers all over the world.

## ■ NumberOne METAL PRODUCTS CO., LTD

- Established in : 2017
- Capital : \$33.6M
- No. of Employees : 50
- Plant area : 5,000 sqm
- Warehouse : 1,800 sqm



# GROUP LOCATIONS



**ChainChon is NumberOne's Parent Company**

- Group Center on Taiwan**
- Have 13 company on China**
- Southeast Asia have 2 company**
- North America have a company**

# ONE-STEP SERVICE

NUMBER ONE



Steel Coil



Drawing Line



Slitting Line



Cut-To-Length



Welding&polishing



Bending



Punching



Laser



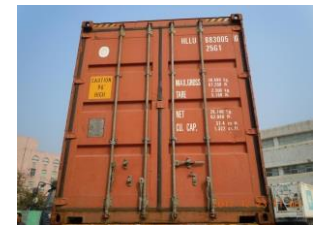
Assembling



Testing



Barcode Link & Tracking

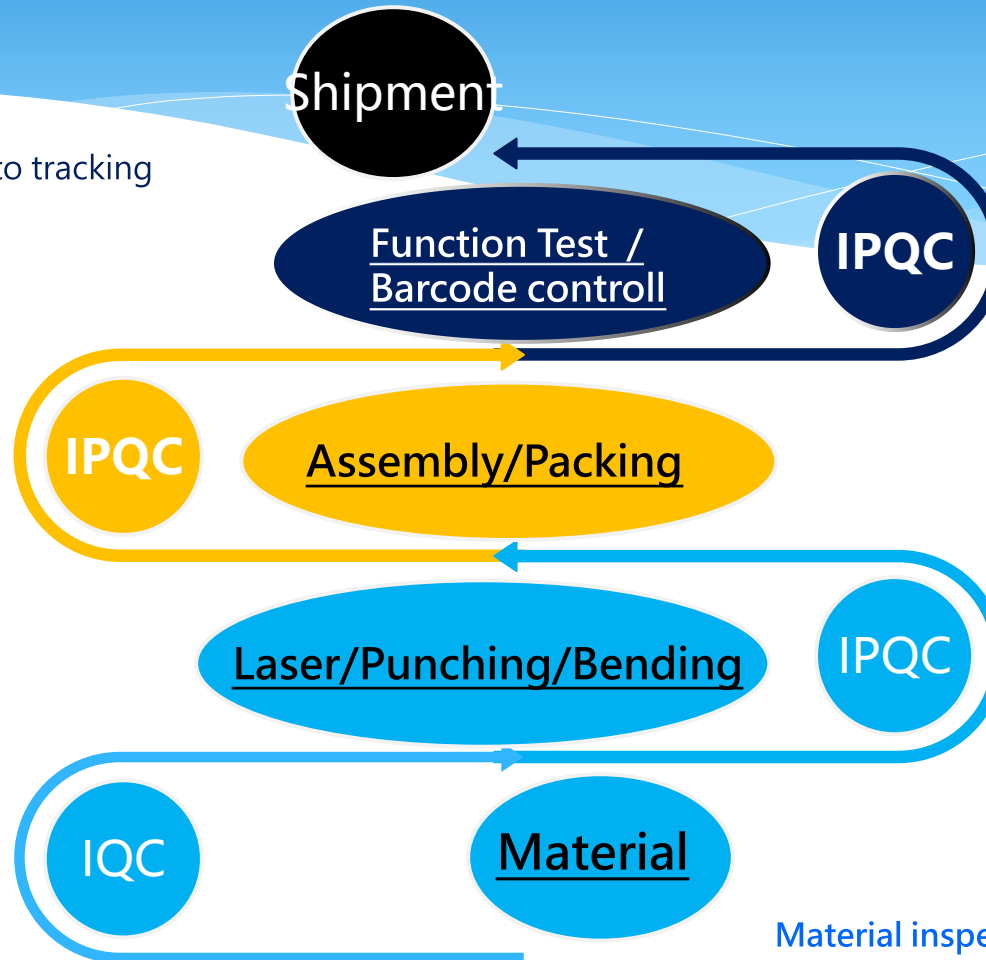


Packing&Delivering

# QUALITY CONTROL

## Trackability

Barcode link PO# to tracking  
production date



Material inspection  
Follow GB/T 2828.1-2003 AQL II

# STRATEGY PARTNER

## Cutting Line



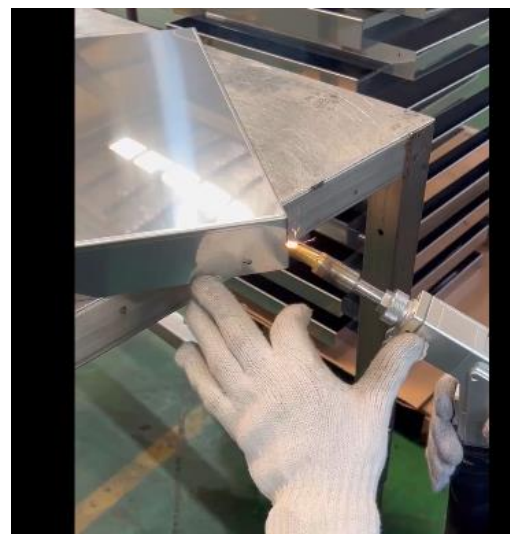
# Our Equipment

## Oil Polishing Line



# PROCESSING LINE

## Punching&Bending&Welding&Polishing





# PROCESSING LINE



## Assembling & Ware house



# Equipment List

<b>Machine</b>
Amada laser machine
Punching machine
Bending machine
Welding machine
TC-61 polishing machine
Enameling&powder coating machine
Drilling machine
Hydraulic press machine
Shelf conveyor line
Assembly line ( U type )



Punching machine		
160T * 3	125T * 10	110T * 5
60T * 15	25~45T * 20	Deep draw machine 400T* 1 200T * 1

# LAB

Salt spray test Machine

Temperature record

Carton bursting test machine

Flue gas analyzer

Air leak detector

Vibration testing machine

Paperless record

Air Flow Tester



# Products Applications

Business / Education / Relaxation

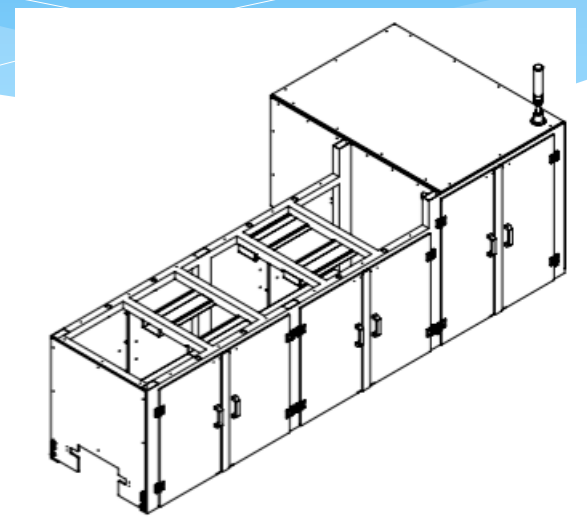
- \* Pellet Grill
- \* Fire Pits



Cooking Device

Auto Equipment

Housing & Kitchen



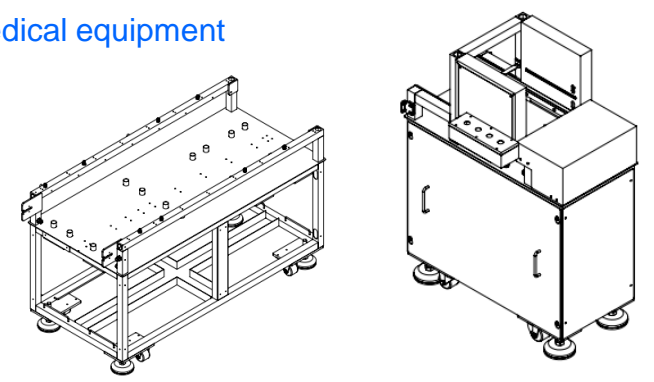
Household / Business

- \* Door
- \* Drawer



Medical Treatment

- \* Medical equipment



# PRODUCTS--BBQ GRILLS



## Island

Water sink +  
detachable cabinets + BBQ grill



## BBQ Grills

**Stainless steel gas grill with IR rear  
burner, side burner and rotisserie kit**

THANK

**NUMBERONE METAL PRODUCTS CO., LTD**

Address : NO 1699, Ganpudong road, ZhanPu , KunShan city, Jiansu Province

Email : [sales@numberoneco.com](mailto:sales@numberoneco.com)